

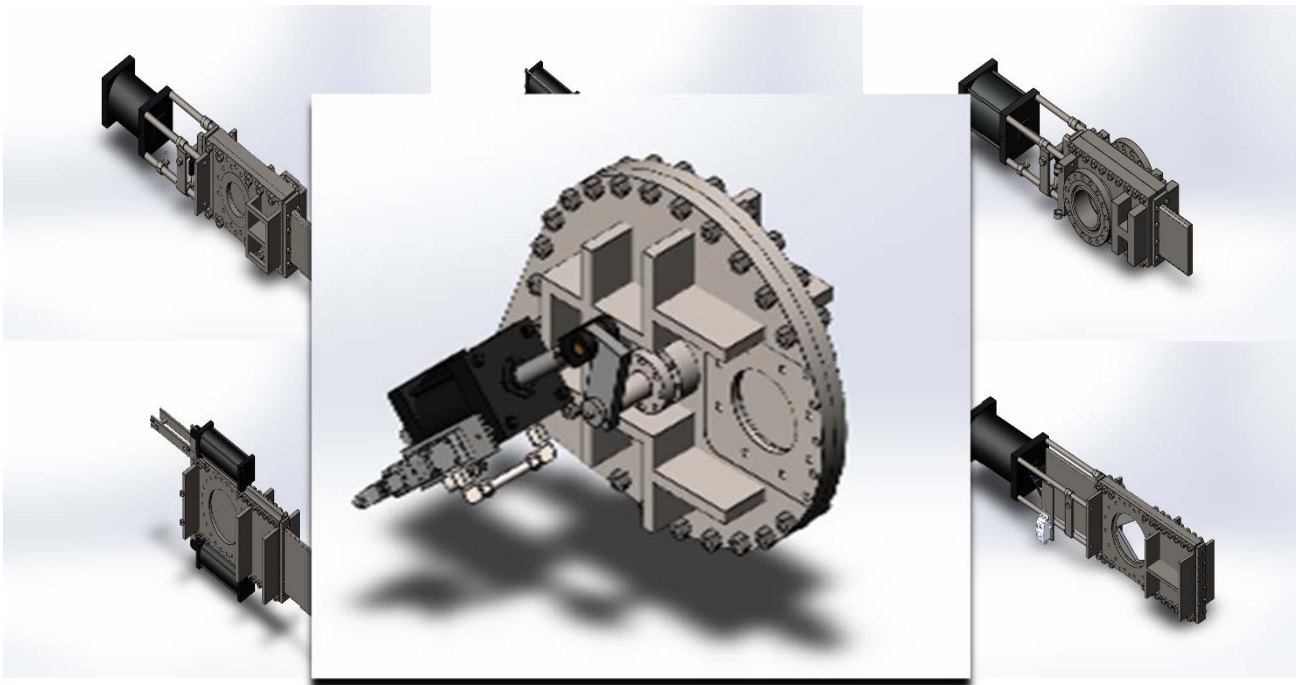


STAINLESS VALVE CO.

Div. of **B+E** Manufacturing Co. Inc.

Stargate-O-Port-Valve® SG360

Re-shaping the thinking on gate valves



We offer complete solutions that meet your needs.

We supply a diverse industry base.

We offer quality, custom engineered products.

We offer unique solutions to your most pressing valve problems.

We offer unmatched after sales support, service, and repairs.

We are your partner in offering valve solutions that directly impact the bottom line

Page 1

STAINLESS VALVE CO. Inc. - Division of **B+E** Manufacturing Co. Inc.

4811 Persimmon Ct., Monroe, NC 28110, USA

al@stainlessvalveco.com 1-704-231-4148

<http://www.stainlessvalveco.com>



Our company is certified ISO9001:2008 / Certificate No.: CERT-0090755



STAINLESS VALVE CO.

September 2016

SVC Stargate-O-Port-Valve® is has a reputation for being the best suited solution for the most severe service applications where high performance ball, gate, and butterfly valves do not perform or lack design characteristics for more unique technological processes under development. SVC looks for the “problem applications” and designs solutions. Solving your “problem application” is our core competency.

- *Limited Space Envelop:* If space constraints exist that will not allow for the traditional Stargate-O-Port-Valve to fit in the available space envelope, the SG360 valve reduces the space envelope in certain dimensions to allow for fit in smaller spaces.
- *Take-out dimensions:* As most of the valve applications that the Stargate-O-Port-Valve® is installed in are for the direct replacement of ball valves, the Stargate-O-Port-Valve® can match those dimensions. Custom takeout dimensions are easily accommodated to the user’s needs. Spool pieces can thus be avoided and the Stargate-O-Port-Valve® is a drop in replacement.
- *Throttling applications:* By utilizing a modified V-Port insert, the control characteristics of the SG360 valve can be easily modified. One example of where the SG360 offers a distinct advantage over any other type valve is in a biomass energy digester blow down application. The end user required a valve that can switch between a 1”, 2”, and 3” orifice based on the startup state, ramp up state, and equilibrium state of the process. The SG360 valve was fitted with three independent full port openings in the disc of the valve. The transition from the 2” to 3” ports had an additional v-port characteristic to it while still allowing a full port opening in the 3” position without any gaps across the valve, thus greatly reducing wear characteristics on the valve body and disc.
- *Abrasion/Erosion:* For the most severe abrasive and erosive applications, the Stargate-O-Port-Valve® can be designed with interchangeable seats with the valve remaining in line. The SG360 valve makes this process simple by allowing the flange area of the valve to be pulled without disassembly of the valve. When the seats are replaced, the flange area of the valve is reinstalled in the valve body and the valve may be placed back in service.

Page 2

STAINLESS VALVE CO. Inc. - Division of B+E Manufacturing Co. Inc.

4811 Persimmon Ct., Monroe, NC 28110, USA

al@stainlessvalveco.com 1-704-231-4148

<http://www.stainlessvalveco.com>



Our company is certified ISO9001:2008 / Certificate No.: CERT-0090755



STAINLESS VALVE CO.

September 2016

The SVC Advantage

SVC manufactures valves specific to the customer application typically to address problems or deficiencies in design experienced with other valve types. With a wide range of products and custom design knowledge, SVC will cater the valve solution to perform in applications where standard valves will not. The Stargate-O-Port-Valve is the solution for your most critical, demanding, and unique valve application problems.

Stargate-O-Port-Valve® ...Solutions Realized!

Copyright © 2017 Stainless Valve Co., Inc.

Page 3

STAINLESS VALVE CO. Inc. - Division of B+E Manufacturing Co. Inc.

4811 Persimmon Ct., Monroe, NC 28110, USA

al@stainlessvalveco.com 1-704-231-4148

<http://www.stainlessvalveco.com>



Our company is certified ISO9001:2008 / Certificate No.: CERT-0090755