



April 2014

Stargate-O-Port-Valve® Diverter Valve *The Multi-Port Valve*

Below are shown a series of different diverter valves. These valves are used in applications where for example a positive displacement pump is feeding into the inlet of the diverter valve, which then allows the flow out of either of the outlet pipes.

The shown configurations of the diverter valves allow the valves to be actuated switching from one outlet to the other without having to stop the positive displacement pump. There is no need to interlock two valves making sure that the pump does not “deadhead” against two closed valves.

The actuation of the valve with the pump running is possible because at no stage are both of the outlet ports closed switching between the ports. There is, however, a possibility to have a third position of the blade outside the orifices, which then closes the valve completely should that functionality be required.

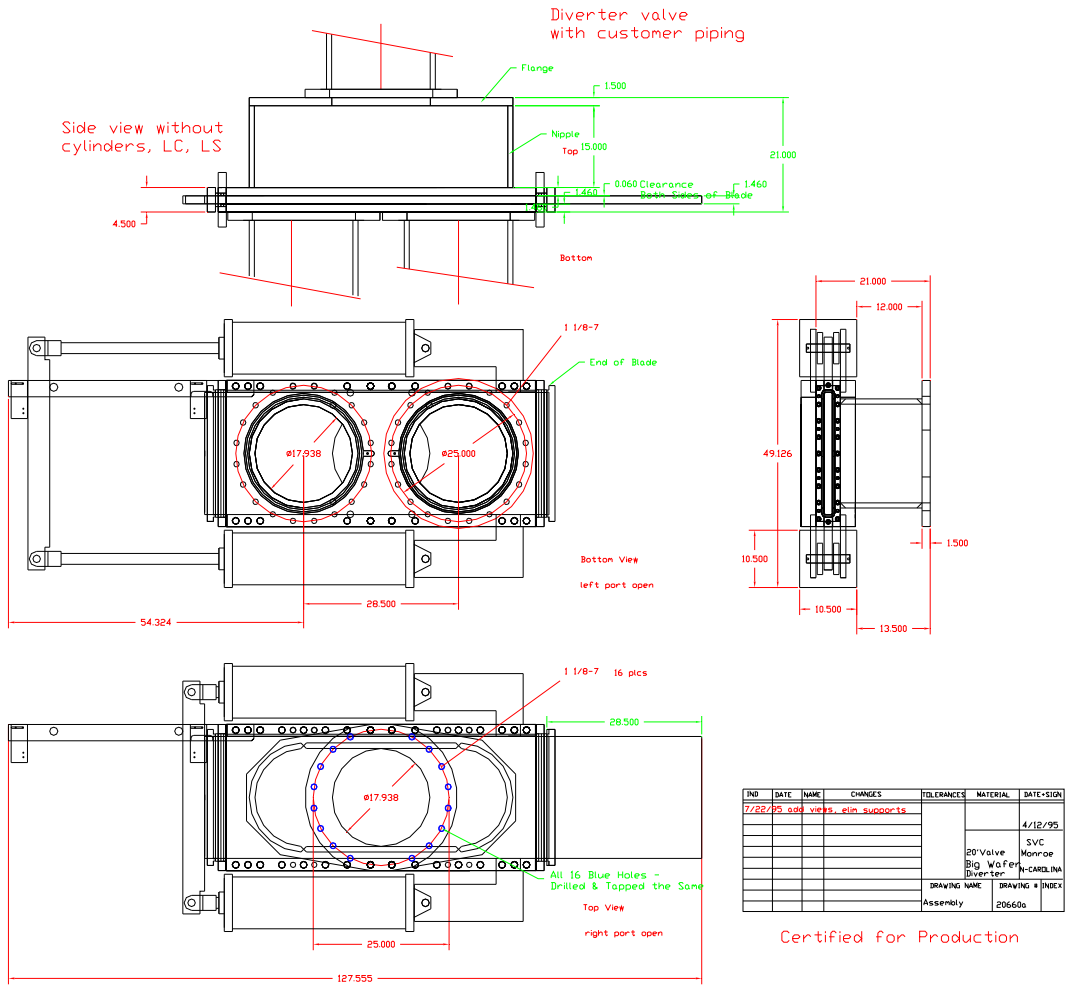
Another advantage of the diverter valves is the lower price of two single valves together with no need for interlocking the valves and the pump.





STAINLESS VALVE CO.

April 2014



STAINLESS VALVE CO. Inc. - Division of B+E Manufacturing Co. Inc.

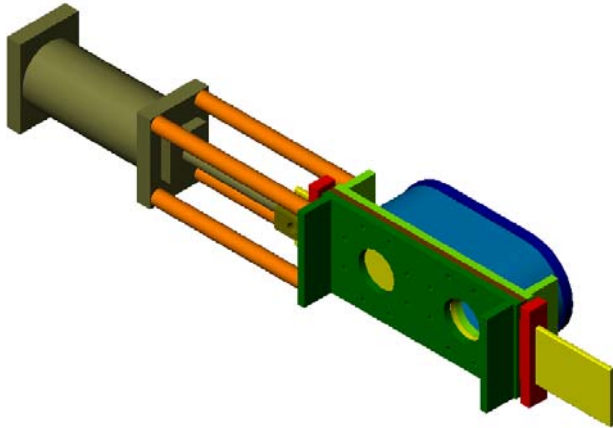
4811 Persimmon Ct., Monroe, NC 28110, USA

al@stainlessvalveco.com 1-704-231-4148

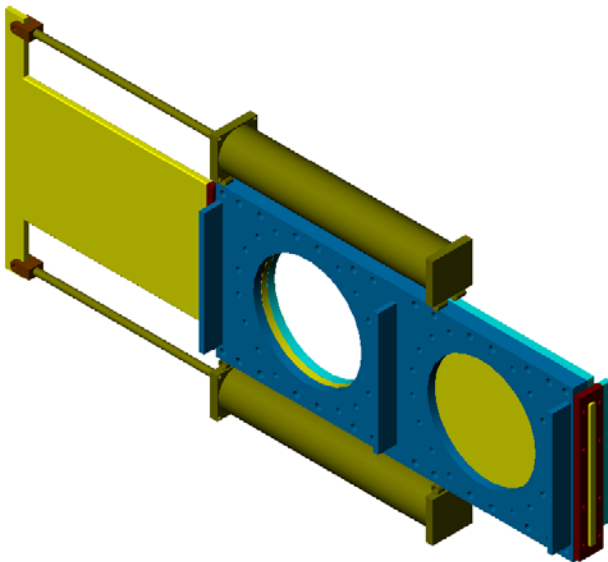
<http://www.stainlessvalveco.com>

Our company is certified ISO9001:2008 / Certificate No.: CERT-0090755





4" Diverter Valve

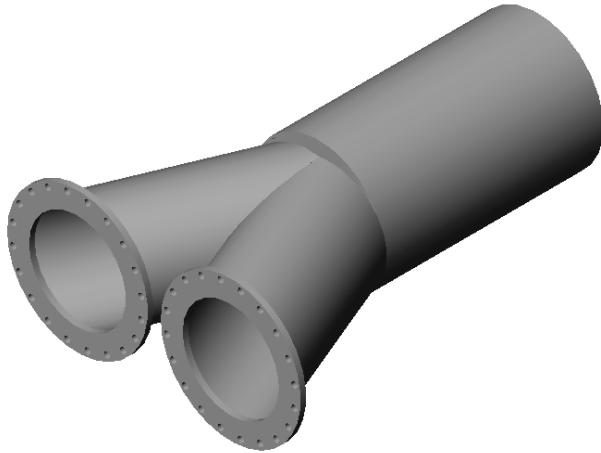


16" "Low Profile" Diverter Valve

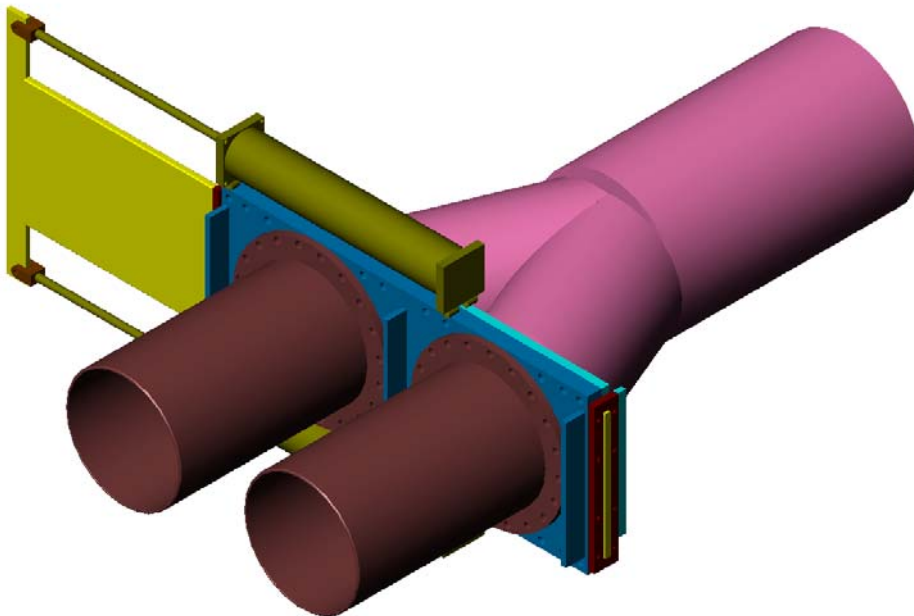


STAINLESS VALVE CO.

April 2014



Inlet pipe to diverter valve

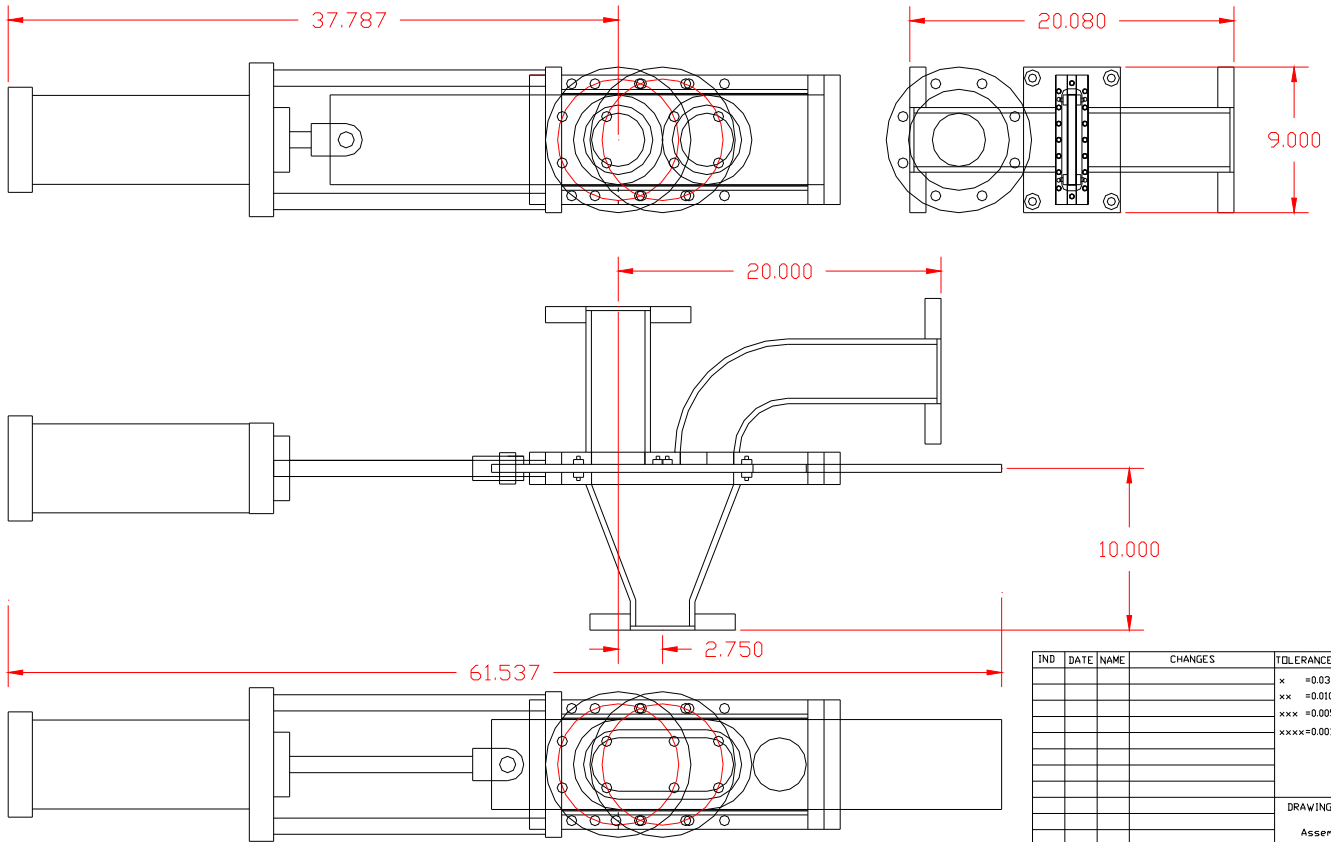


Assembly of diverter valve with inlet and outlet pipes



STAINLESS VALVE CO.

April 2014



IND	DATE	NAME	CHANGES	TOLERANCES	MATERIAL	DATE*SIGN
				x =0.030		9/18/92
				xx =0.010		
				xxx =0.005		
				xxxx=0.001	BIG WAFER	SVC
					4" Valve	Monroe
					3-way	N-CAROLINA
					DRAWING NAME	DRAWING # INDEX
					Assembly	0466a

STAINLESS VALVE CO. Inc. - Division of B+E Manufacturing Co. Inc.

4811 Persimmon Ct., Monroe, NC 28110, USA

al@stainlessvalveco.com 1-704-231-4148

<http://www.stainlessvalveco.com>

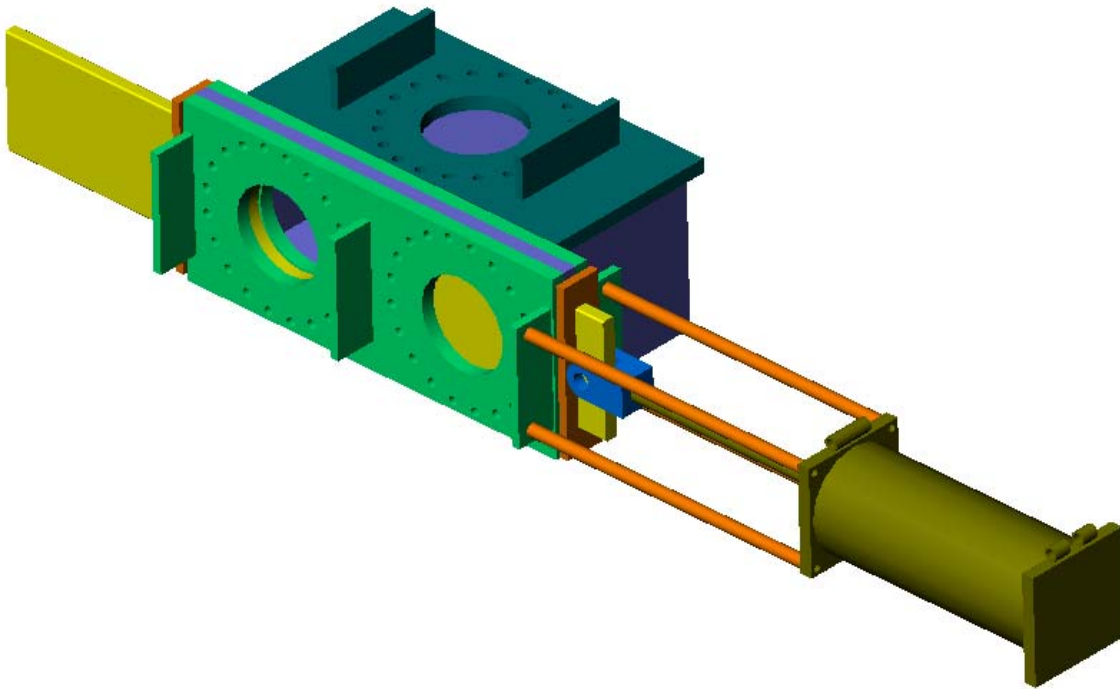
Our company is certified ISO9001:2008 / Certificate No.: CERT-0090755





STAINLESS VALVE CO.

April 2014



12" 900# diverter valve with inlet 90 degrees

STAINLESS VALVE CO. Inc. - Division of B+E Manufacturing Co. Inc.

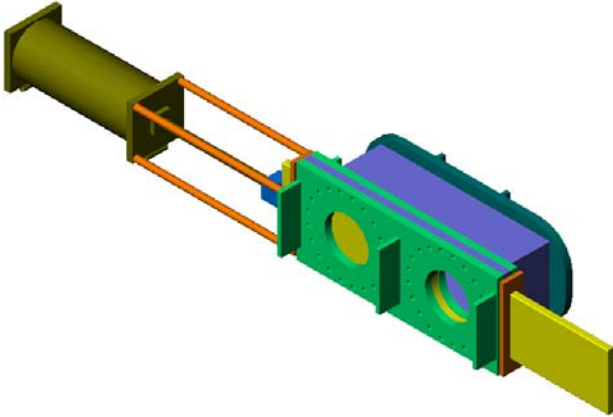
4811 Persimmon Ct., Monroe, NC 28110, USA

al@stainlessvalveco.com 1-704-231-4148

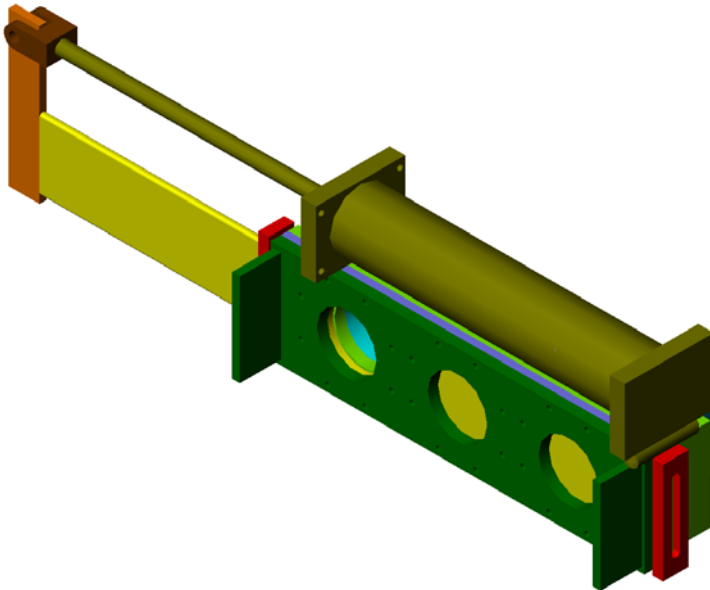
<http://www.stainlessvalveco.com>

Our company is certified ISO9001:2008 / Certificate No.: CERT-0090755





12" 900# diverter valve

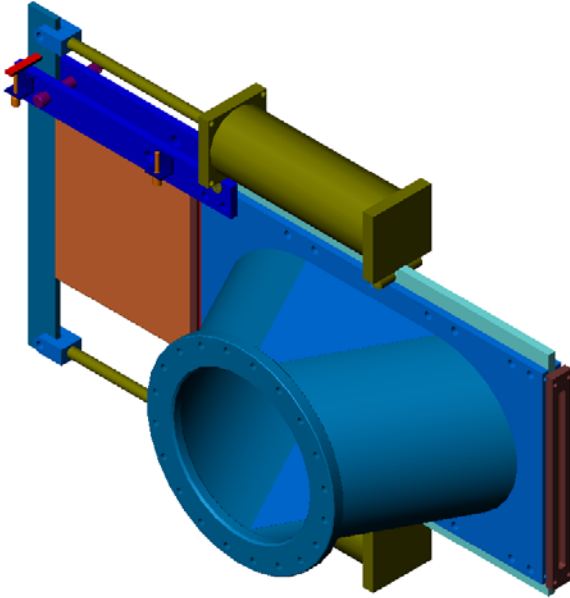


Three positions: Open left, closed both middle and right, 6" Diverter valve

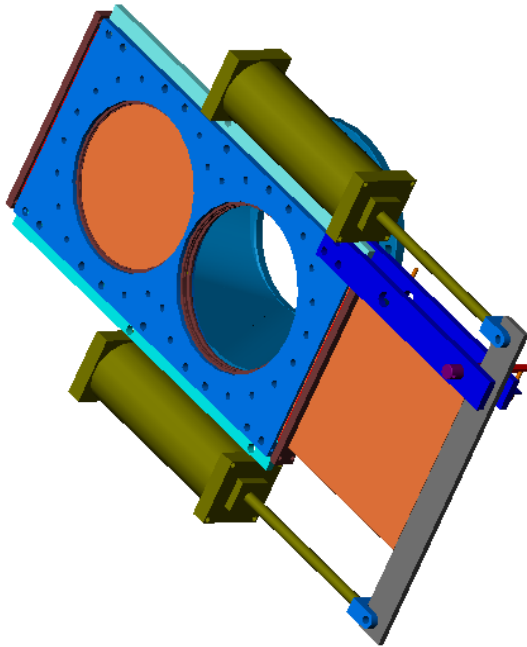


STAINLESS VALVE CO.

April 2014



20" 150# diverter Valve for wood chips with minimized dead-space



Outlets of 20" 150# diverter Valve for wood chips with minimized dead-space

STAINLESS VALVE CO. Inc. - Division of B+E Manufacturing Co. Inc.

4811 Persimmon Ct., Monroe, NC 28110, USA

al@stainlessvalveco.com 1-704-231-4148

<http://www.stainlessvalveco.com>

Our company is certified ISO9001:2008 / Certificate No.: CERT-0090755





STAINLESS VALVE CO.

April 2014



Copyright © 2016 Stainless Valve Co., Inc.

Page 9

STAINLESS VALVE CO. Inc. - Division of B+E Manufacturing Co. Inc.

4811 Persimmon Ct., Monroe, NC 28110, USA

al@stainlessvalveco.com 1-704-231-4148

<http://www.stainlessvalveco.com>

Our company is certified ISO9001:2008 / Certificate No.: CERT-0090755

